



# 600V 15A 50ns Rectifier – MURC1560

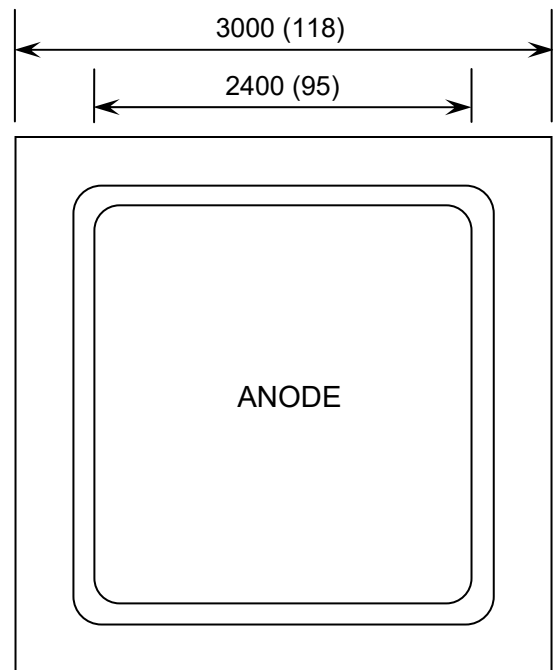
Rev 1.0  
27/12/22

Ultra-Fast recovery rectifier diode in bare die form

## Features:

- Low leakage current
- High forward surge current capability
- Low forward voltage drop
- Robust construction
- High reliability tested grades.

## Die Dimensions in $\mu\text{m}$ (mils)



CHIP BACKSIDE IS CATHODE



## Ordering Information

The following part suffixes apply:

- No suffix - MIL-STD-750 /2073 Visual Inspection
- "H" - MIL-STD-750 /2073 Visual Inspection  
+ MIL-PRF-38534 Class H LAT
- "K" - MIL-STD-750 /2073 Visual Inspection  
+ MIL-PRF-38534 Class K LAT

LAT = Lot Acceptance Test.

For further information on LAT process flows see below.

[www.siliconsupplies.com/quality/bare-die-lot-qualification](http://www.siliconsupplies.com/quality/bare-die-lot-qualification)

## Supply Formats:

- Default – Die in Waffle Pack (100 per tray capacity)
- Sawn Wafer on Tape – By specific request
- Unsawn Wafer – By specific request
- With additional electrical selection – By specific request

## Mechanical Specification

Die Size (Unsawn)	3000 x 3000 118.11 x 118.11	$\mu\text{m}$ mils
Anode Pad Size	2400 x 2400 94.49 x 94.49	$\mu\text{m}$ mils
Die Thickness	220 ( $\pm 20$ ) 8.66 ( $\pm 0.79$ )	$\mu\text{m}$ mils
Top Metal Composition	Al 7.5 $\mu\text{m}$	
Back Metal Composition	Ti/Ni/Ag 2.5 $\mu\text{m}$	





# 600V 15A 50ns Rectifier – MURC1560

Rev 1.0  
27/12/22

## Absolute Maximum Ratings<sup>1</sup> $T_J = 25^\circ\text{C}$ unless otherwise stated

PARAMETER	SYMBOL	VALUE	UNIT
Peak Repetitive Reverse Voltage	$V_{RRM}$	600	V
Working Peak Repetitive Reverse Voltage	$V_{RWM}$		
DC Blocking Voltage	$V_R$		
RMS Reverse Voltage	$V_{R(RMS)}$	420	V
Average Forward Rectified Current, $T_J = 150^\circ\text{C}$	$I_{F(AV)}$	15	A
Peak Repetitive Forward Current <sup>2</sup>	$I_{FM}$	30	A
Non-Repetitive Peak Forward Surge Current <sup>3</sup>	$I_{FSM}$	225	A
Operating Junction temperature	$T_J$	-55 to 175	$^\circ\text{C}$
Storage Temperature Range	$T_{STG}$	-65 to 175	$^\circ\text{C}$

## Electrical Characteristics $T_J = 25^\circ\text{C}$ unless otherwise stated

PARAMETER	SYMBOL	CONDITIONS	MIN	TYP	MAX	UNIT
Maximum Instantaneous Forward Voltage <sup>4</sup>	$V_F$	$I_F = 15\text{A}, T_J = 25^\circ\text{C}$	-	1.20	1.50	V
		$I_F = 15\text{A}, T_J = 125^\circ\text{C}$	-	1.00	-	V
Maximum Instantaneous Reverse Leakage Current <sup>4</sup>	$I_{RM} @ V_{RRM}$	$V_{RRM} = 600\text{V}, T_J = 25^\circ\text{C}$	-	0.005	0.05	$\mu\text{A}$
		$V_{RRM} = 600\text{V}, T_J = 125^\circ\text{C}$	-	5	20	$\mu\text{A}$
Reverse Recovery Time	$t_{rr}$	$I_F = 0.5\text{A}, I_R = 1.0\text{A}, I_{tr} = 0.25\text{A}$	-	33	50	ns
Junction Capacitance	$C_J$	$V_R = 4\text{V}, f = 1.0\text{MHz}$	-	100	-	pF

1. Operation above the absolute maximum rating may cause device failure. Operation at the absolute maximum ratings, for extended periods, may reduce device reliability. 2.  $V_R = 600\text{V}$ , Square Wave, 20kHz Pulse Width = 3.8ms 3. Surge applied at rated load conditions halfwave, single phase, 60Hz 4. Pulse Test: Pulse Width = 300s, Duty Cycle  $\leq 2.0\%$

## Typical Characteristics $T_J = 25^\circ\text{C}$ unless otherwise stated

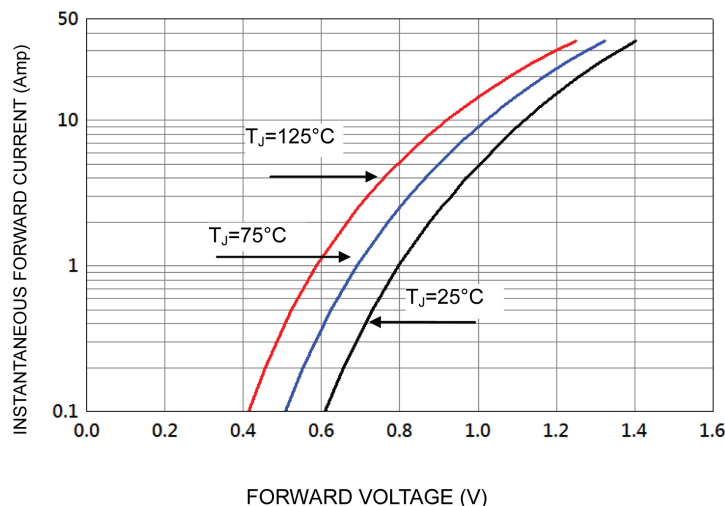


FIGURE 1. Forward Voltage Characteristics

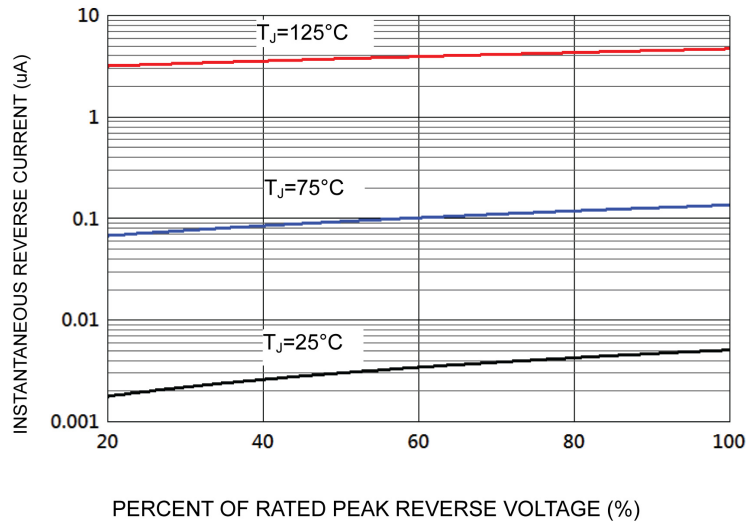




# 600V 15A 50ns Rectifier – MURC1560

Typical Characteristics Continued  $T_J = 25^\circ\text{C}$  unless otherwise stated

Rev 1.0  
27/12/22



**FIGURE 2.** Reverse Current Versus Reverse Voltage



**FIGURE 3.** Peak Forward Surge Current Versus Cycles at 60 Hz

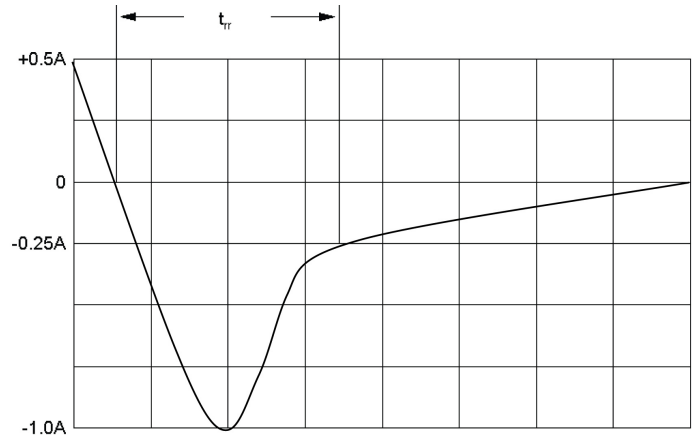
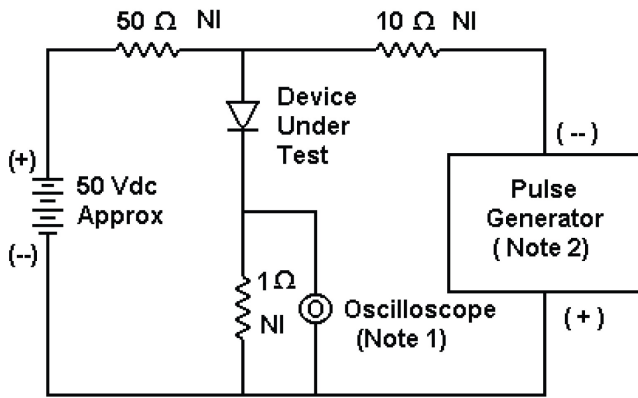




# 600V 15A 50ns Rectifier – MURC1560

Rev 1.0  
27/12/22

Typical Characteristics Continued  $T_J = 25^\circ\text{C}$  unless otherwise stated



Set time base for 10/20 ns/cm

**Notes:**

1. Rise Time = 7 ns max. Input Impedance = 1 M  $\Omega$  , 22 pF
2. Rise Time = 10 ns max. Input Impedance = 50  $\Omega$

FIGURE 4. Reverse Recovery Time Characteristics + Test Circuit

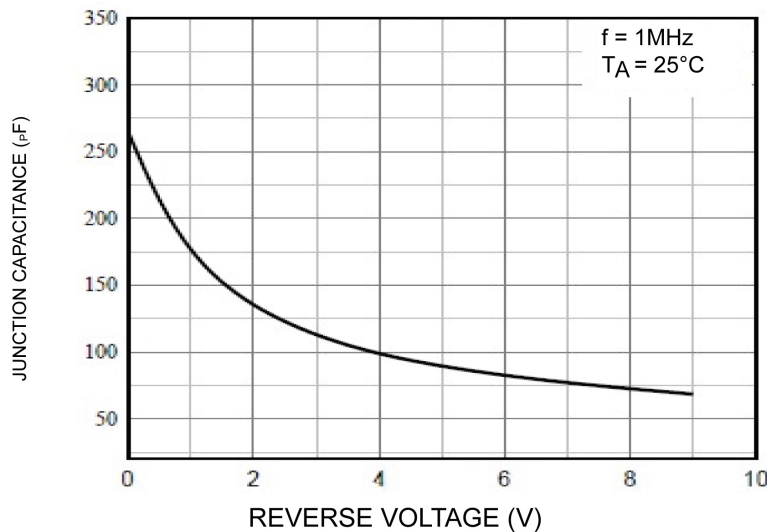


FIGURE 5. Typical Junction Capacitance

**DISCLAIMER:** The information given in this document shall in no event be regarded as a guarantee of conditions or characteristics. With respect to any examples or hints given herein, any typical values stated herein and/or any information regarding the application of the device, Silicon Supplies Ltd hereby disclaims any and all warranties and liabilities of any kind.

**LIFE SUPPORT POLICY:** Silicon Supplies Ltd components may be used in life support devices or systems only with the express written approval of Silicon Supplies Ltd, if a failure of such components can reasonably be expected to cause the failure of that life support device or system or to affect the safety or effectiveness of that device or system. Life support devices or systems are intended to be implanted in the human body or to support and/or maintain and sustain and/or protect human life. If they fail, it is reasonable to assume that the health of the user or other persons may be endangered.

