



# Dual Differential Comparator – LM393A

Low power, low offset voltage dual comparator in bare die form

Rev 1.1  
21/01/18

## Description

The LM393A is a dual precision voltage comparator operating with either single or split supply over a wide voltage range. In single supply operation, the device uniquely produces a common mode range-to-ground level. In split supply operation the low power supply current drain is independent of the magnitude of supply voltage and reduces power consumption versus standard comparators. The device directly interfaces TTL, CMOS and also interfaces MOS in split supply configuration. Offset voltage characteristics as low as 1mV improve efficiency and further reduce power consumption. The die size is one of the smallest in the industry.

## Features:

- Single-Supply range: 2-36V
- Split-Supply range:  $\pm 1.0V$  to  $\pm 18V$
- Very low supply current independent of supply voltage (1 mW/comparator at +5V)
- Very Low Current Drain
- Very Low Input Offset Current
- Low Input Offset Voltage
- TTL, DTL, ECL, MOS, CMOS compatible outputs

## Ordering Information

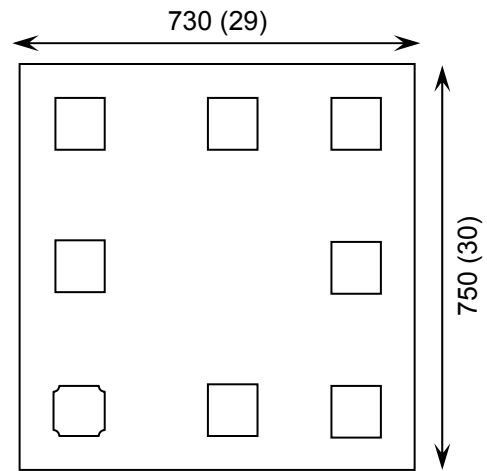
The following part suffixes apply:

- No suffix - MIL-STD-883 /2010B Visual Inspection

For High Reliability versions of this product please see

[LM193](#) and [LM193A](#)

## Die Dimensions in $\mu m$ (mils)



## Supply Formats:

- Default – Die in Waffle Pack (400 per tray capacity)
- Sawn Wafer on Tape – On request
- Unsawn Wafer – On request
- Die Thickness  $\leftrightarrow$  350 $\mu m$ (15 Mils) – On request
- Assembled into Ceramic Package – On request

## Mechanical Specification

Die Size (Unsawn)	730 x 750 29 x 30	$\mu m$ mils
Minimum Bond Pad Size	90 x 90 3.54 x 3.54	$\mu m$ mils
Die Thickness	350 ( $\pm 20$ ) 13.78 ( $\pm 0.79$ )	$\mu m$ mils
Top Metal Composition	Al 1%Si 1.1 $\mu m$	
Back Metal Composition	N/A – Bare Si	

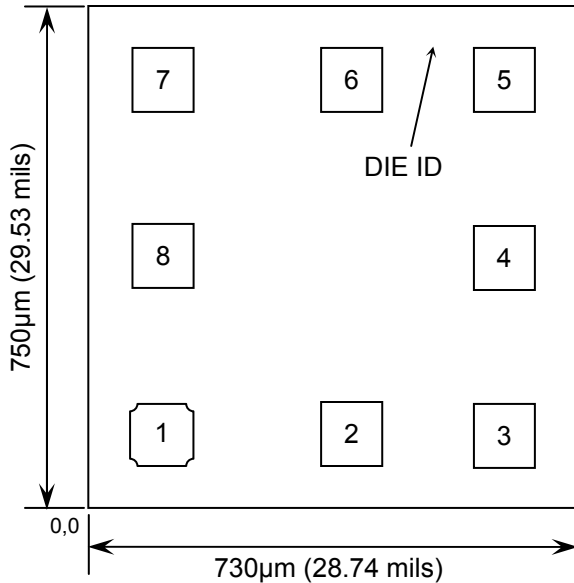




# Dual Differential Comparator – LM393A

Rev 1.1  
21/01/18

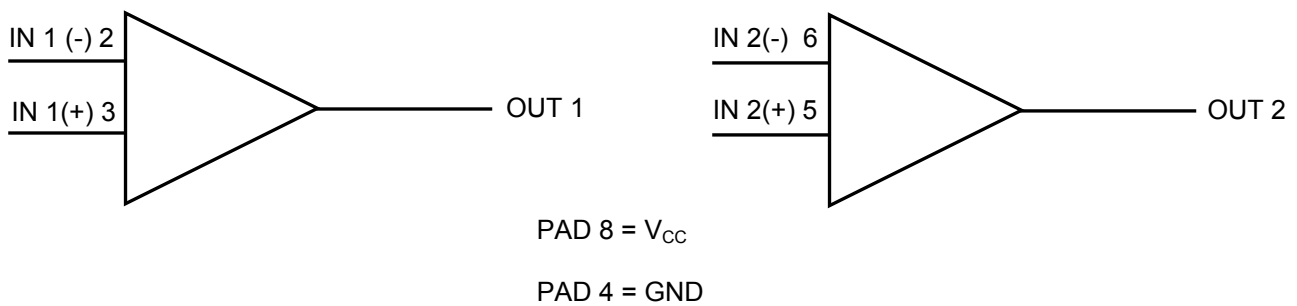
## Pad Layout and Functions



PAD	FUNCTION	COORDINATES (mm)	
		X	Y
1	OUT 1	0.065	0.065
2	IN 1 -	0.347	0.065
3	IN 1 +	0.575	0.065
4	GND	0.575	0.330
5	IN 2 +	0.575	0.595
6	IN 2 -	0.347	0.595
7	OUT 2	0.065	0.595
8	V <sub>CC</sub>	0.065	0.330

CHIP BACK POTENTIAL IS GND OR FLOAT

## Logic Diagram





# Dual Differential Comparator – LM393A

Rev 1.1  
21/01/18

## Absolute Maximum Ratings<sup>1</sup>

PARAMETER	SYMBOL	VALUE	UNIT
Supply Voltage – Single Supply	$V_{CC}$	36	V
Supply Voltage – Split Supply		±18	V
Input Differential Voltage Range	$V_{IDR}$	36	V
Input Common Mode Voltage Range	$V_{ICR}$	-0.3 to $V_{CC}$	V
Output Short Circuit to Ground	-	Continuous	-
Input Current (per pin) <sup>2</sup>	$I_{IN}$	50	mA
Junction Temperature	$T_J$	150	°C
Power Dissipation in Still Air	$P_D$	570	mW

1. Operation above the absolute maximum rating may cause device failure. Operation at the absolute maximum ratings, for extended periods, may reduce device reliability.
2.  $V_{IN} < -0.3V$ . This input current exists when voltage is driven negative at any of the input leads

## Recommended Operating Conditions

PARAMETER	SYMBOL	MIN	MAX	UNITS
DC Supply Voltage	$V_{CC}$	±2.5 or 5	±15 or 30	V
Operating Temperature	$T_A$	0	+70	°C

## DC Electrical Characteristics ( $T_A = -55^{\circ}C$ to $125^{\circ}C$ unless otherwise specified)

PARAMETER	SYMBOL	CONDITIONS	LIMITS			UNITS	
			MIN	TYP	MAX		
Input Offset Voltage	$V_{IO}$	$V_O = 1.4V$ , $V_{CC} = 5-30V$ ; $R_S \leq 100\Omega$ , $V_{ICR} = 0V - (V_{CC} - 1.5V)$	25°C	-	1	2	mV
			70°C	-	-	4	
Input Bias Current	$I_B$	$V_O = 1.4V, V_{CC} = 5-30V$ $V_{ICR} = 0V - (V_{CC} - 1.5V)$	25°C	-	25	250	nA
			70°C	-	-	400	
Input Offset Current	$I_{IO}$	$V_O = 1.4V, V_{CC} = 5-30V$ $V_{ICR} = 0V - (V_{CC} - 1.5V)$	25°C	-	±5	±50	nA
			70°C	-	-	±150	
Input Common Mode Voltage Range	$V_{ICR}$	$V_{CC} = 5-30V$	25°C	0	-	$V_{CC} - 1.5$	V
			70°C	0	-	$V_{CC} - 2.0$	
Supply Current	$I_{CC}$	$R_L = \infty, V_{CC} = 5V, T_A = 25^{\circ}C$	-	-	1	mA	
		$R_L = \infty, V_{CC} = 36V, T_A = 25^{\circ}C$	-	-	2.5		
Voltage Gain	$A_{VOL}$	$V_{CC} = 15V, R_L = 15K\Omega$ , $T_A = 25^{\circ}C, V_O = 1V$ to 11V	50	200	-	V/mV	
Large Signal Response Time	$t_1$	$V_{IN} = TTL$ Logic Swing, $V_{REF} = 1.4V, V_{CC} = 5V$ , $R_L = 5.1K\Omega, V_{RL} = 5V$ , $T_A = 25^{\circ}C$	-	300	-	ns	
Response Time	$t_2$	$V_{CC} = 5V, R_L = 5.1K\Omega$ , $V_{RL} = 5V, T_A = 25^{\circ}C$	-	1.3	-	µS	





# Dual Differential Comparator – LM393A

Rev 1.1  
21/01/18

## DC Electrical Characteristics (T<sub>A</sub> = -55°C to 125°C unless otherwise specified)

PARAMETER	SYMBOL	CONDITIONS	LIMITS			UNITS	
			MIN	TYP	MAX		
Output Sink Current	I <sub>SINK</sub>	V <sub>I(-)</sub> = 1V, V <sub>I(+)</sub> = 0V, V <sub>O</sub> ≤ 1.5V, V <sub>CC</sub> = 5V, T <sub>A</sub> = 25°C	6	16	-	mA	
Saturation Voltage	V <sub>SAT</sub>	V <sub>I(-)</sub> = 1V, V <sub>I(+)</sub> = 0V I <sub>SINK</sub> ≤ 4mA, V <sub>CC</sub> = 5V	25°C	-	250	400	mV
			70°C	-	-	700	
Output Leakage Current	I <sub>OL</sub>	V <sub>I(+)</sub> = 1V, V <sub>I(-)</sub> = 0V	V <sub>O</sub> = 5V, T <sub>A</sub> = 25°C	-	0.1	-	nA
			V <sub>O</sub> = 30V, T <sub>A</sub> = 70°C	-	-	1000	
Differential Input Voltage Range	V <sub>IDR</sub>	All V <sub>IN</sub> ≥ GND or V- Supply (if used)	-	-	V <sub>CC</sub>	V	

## Typical Applications

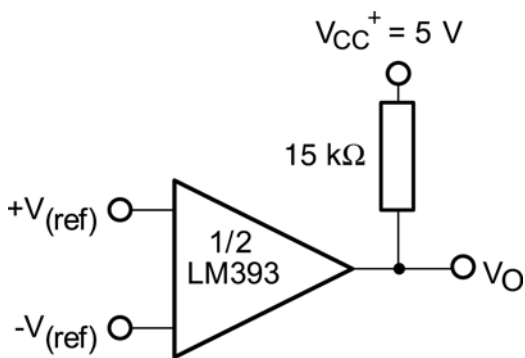


FIGURE 1. Basic Comparator

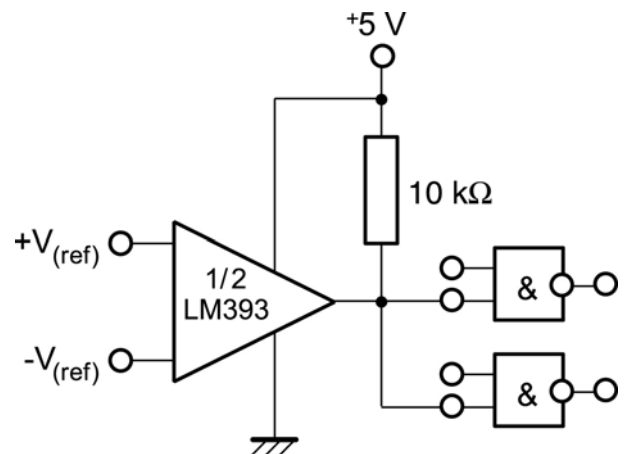


FIGURE 2. Driving TTL

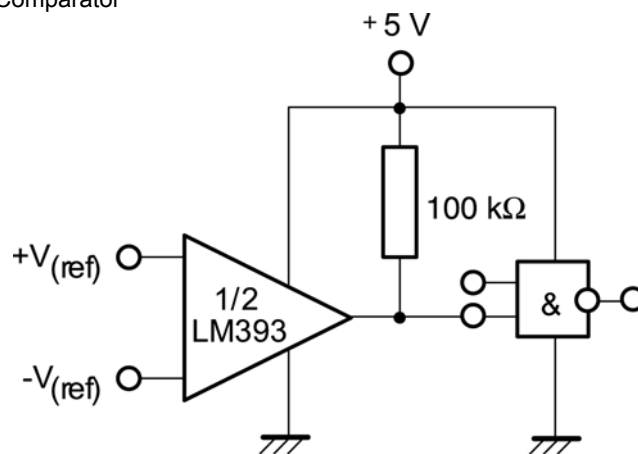


FIGURE 3. Driving CMOS





# Dual Differential Comparator – LM393A

Rev 1.1  
21/01/18

## Typical Applications continued

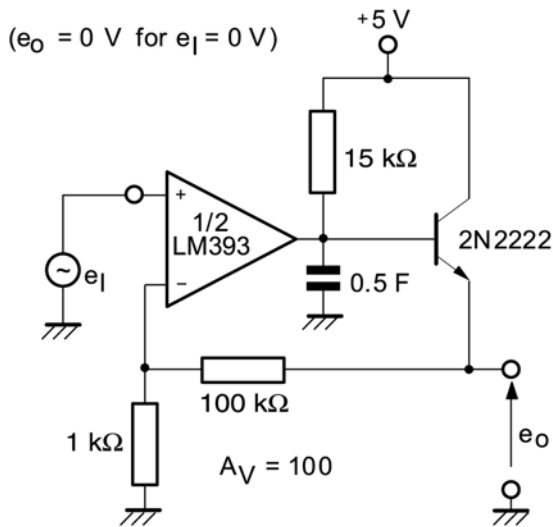


FIGURE 4. Low frequency Operational Amplifier V1

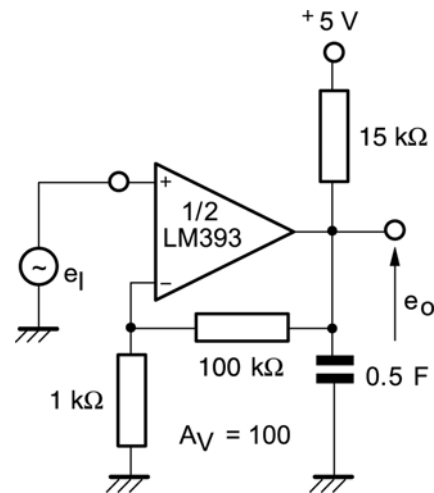


FIGURE 5. Low frequency Operational Amplifier V2

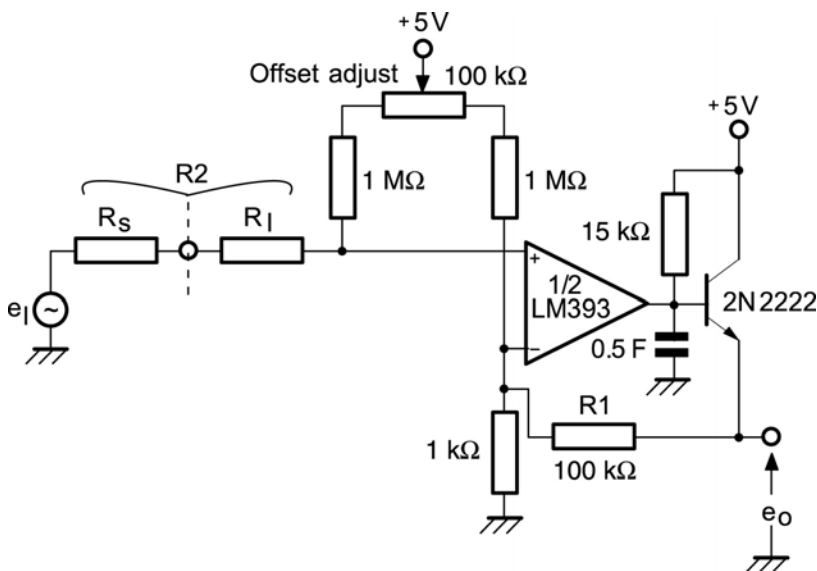


FIGURE 6. Low frequency Op-Amp with Offset adjust

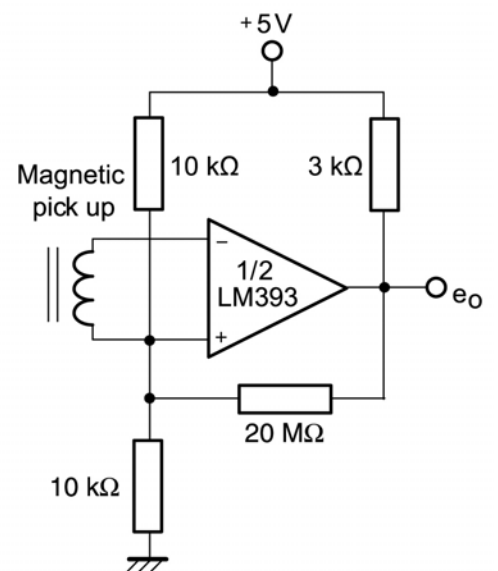


FIGURE 7. Transducer Amplifier





# Dual Differential Comparator – LM393A

Rev 1.1  
21/01/18

Typical Applications continued

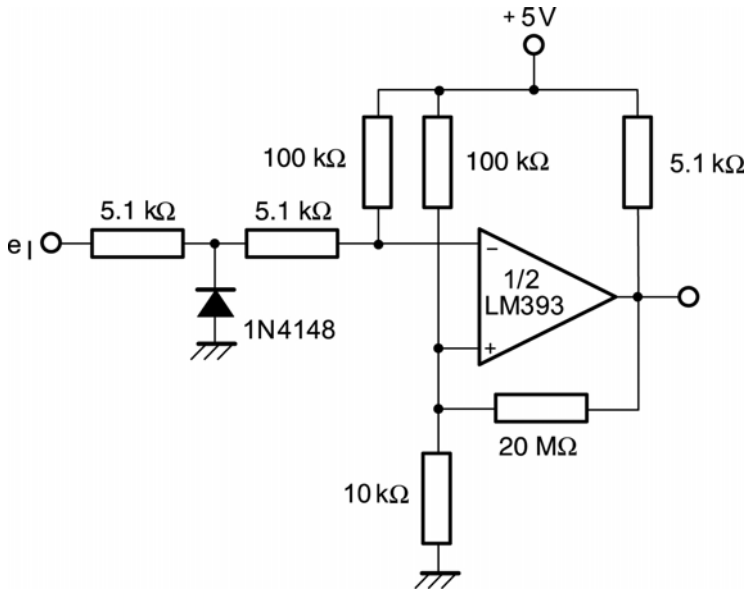


FIGURE 8. Zero crossing detector (single power supply)

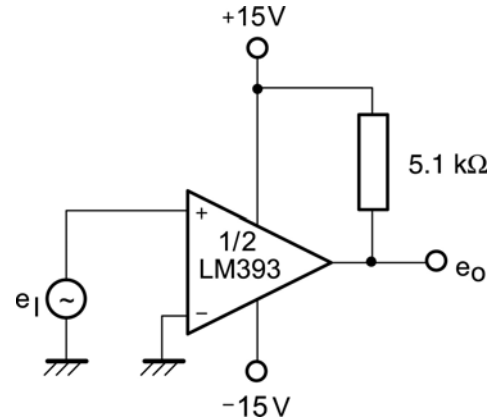


FIGURE 9. Zero crossing detector (split power supply)

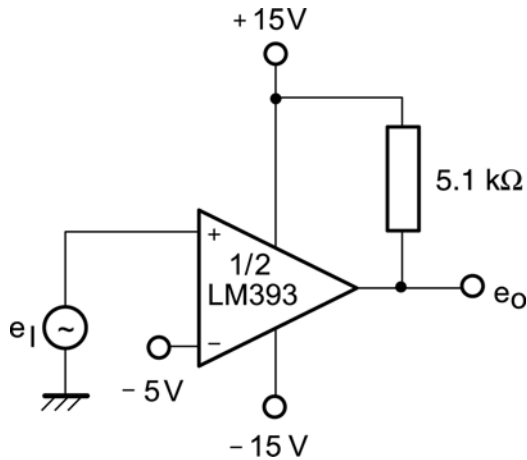


FIGURE 10. Comparator with a negative reference

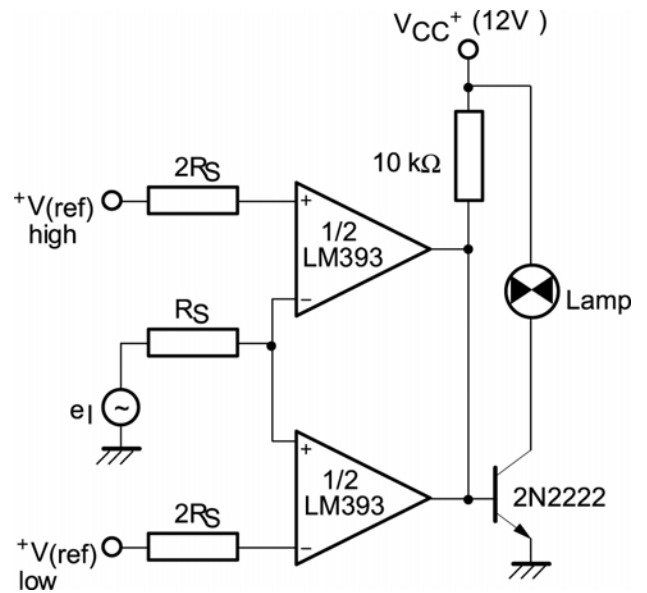


FIGURE 11. Limit Comparator





# Dual Differential Comparator – LM393A

Rev 1.1  
21/01/18

Typical Applications continued

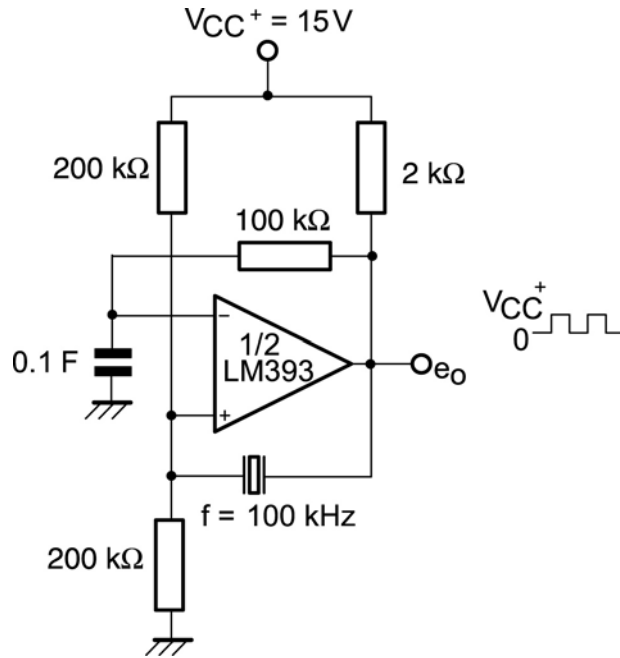


FIGURE 12. Crystal controlled Comparator

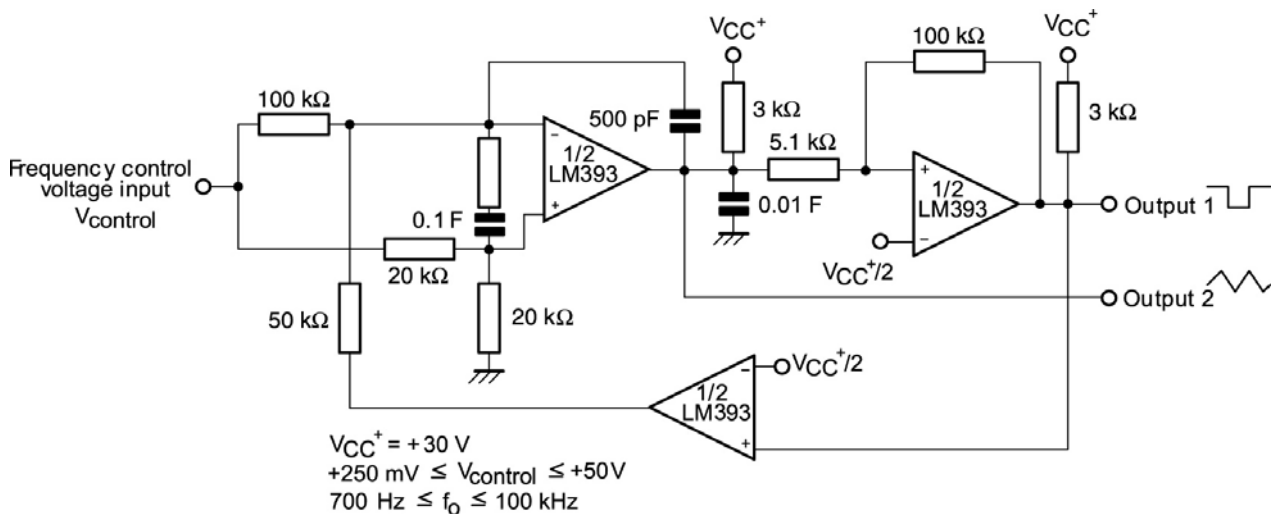


FIGURE 13. Two-decade High-Frequency VCO





# Dual Differential Comparator – LM393A

---

Rev 1.1  
21/01/18

**DISCLAIMER:** The information given in this document shall in no event be regarded as a guarantee of conditions or characteristics. With respect to any examples or hints given herein, any typical values stated herein and/or any information regarding the application of the device, Silicon Supplies Ltd hereby disclaims any and all warranties and liabilities of any kind.

**LIFE SUPPORT POLICY:** Silicon Supplies Ltd components may be used in life support devices or systems only with the express written approval of Silicon Supplies Ltd, if a failure of such components can reasonably be expected to cause the failure of that life support device or system or to affect the safety or effectiveness of that device or system. Life support devices or systems are intended to be implanted in the human body or to support and/or maintain and sustain and/or protect human life. If they fail, it is reasonable to assume that the health of the user or other persons may be endangered.

