



High Speed CMOS Logic – 74HC132

Quadruple 2-Input NAND Gate IC with Schmitt-Trigger Inputs in bare die form

Rev 1.0
21/11/17

Description

The 74HC132 is fabricated using a 2.5µm 5V CMOS process and has the same high speed performance of LSTTL combined with CMOS low power consumption. The hysteresis characteristics (around 20% V_{CC}) of all inputs allow slowly changing input signals to be transformed into sharply defined jitter-free output signals. All inputs are compatible with standard CMOS outputs; using pull-up resistors, they are compatible with LSTTL outputs. Inputs are also equipped with protection circuits against static discharge and transient excess voltage.

Features:

- High Speed: t_{PD} = 11ns @ 5V (Typ.)
- Low Input Current: 1µA
- Output Drive Capability: 10 LSTTL loads
- Outputs directly interface CMOS, NMOS and TTL
- Operating Voltage Range: 2V to 6V
- CMOS High Noise Immunity
- Function compatible with 74LS132.

Ordering Information

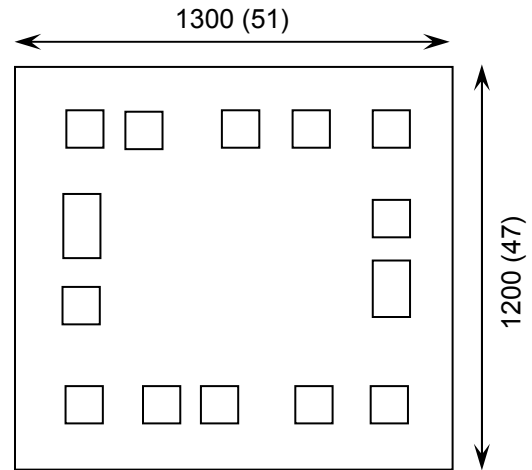
The following part suffixes apply:

- No suffix - MIL-STD-883 /2010B Visual Inspection

For High Reliability versions of this product please see

[54HC132](#)

Die Dimensions in µm (mils)



Supply Formats:

- Default – Die in Waffle Pack (400 per tray capacity)
- Sawn Wafer on Tape – On request
- Unsawn Wafer – On request
- Die Thickness <=> 350µm(14 Mils) – On request
- Assembled into Ceramic Package – On request

Mechanical Specification

Die Size (Unsawn)	1300 x 1200 51 x 47	µm mils
Minimum Bond Pad Size	106 x 106 4 x 4	µm mils
Die Thickness	350 (±20) 13.78 (±0.79)	µm mils
Top Metal Composition	Al 1%Si 1.1µm	
Back Metal Composition	N/A – Bare Si	

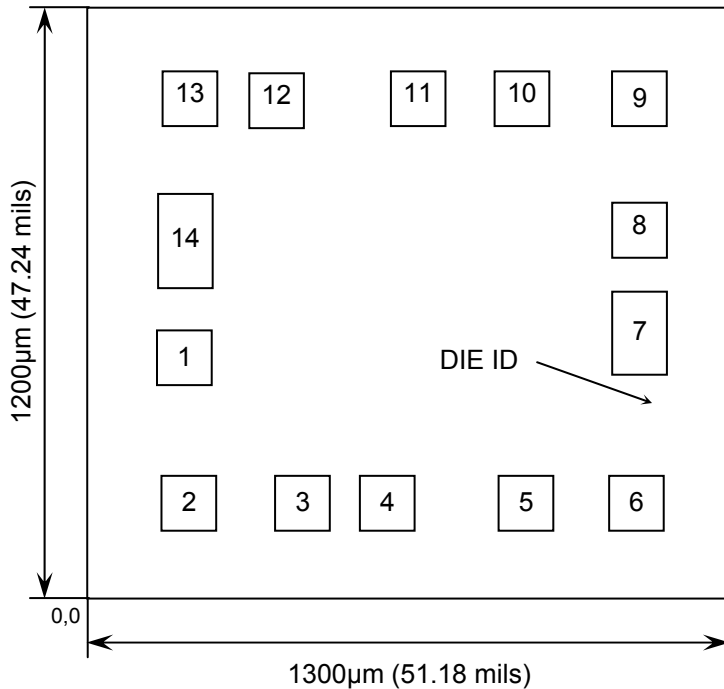




High Speed CMOS Logic – 74HC132

Rev 1.0
21/11/17

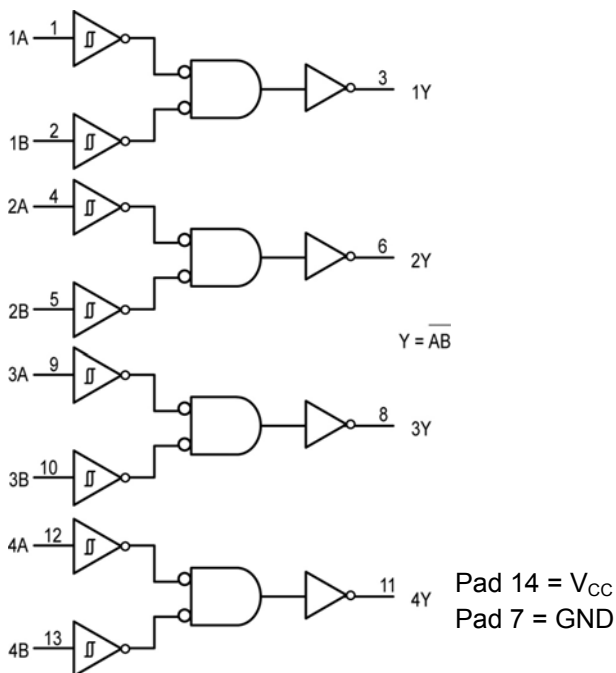
Pad Layout and Functions



PAD	FUNCTION	COORDINATES (mm)	
		X	Y
1	1A	0.143	0.434
2	1B	0.153	0.14
3	1Y	0.383	0.14
4	2A	0.551	0.14
5	2B	0.834	0.14
6	2Y	1.062	0.14
7	GND	1.064	0.458
8	3Y	1.064	0.697
9	3A	1.064	0.96
10	3B	0.826	0.96
11	4Y	0.619	0.96
12	4A	0.333	0.96
13	4B	0.143	0.96
14	V _{CC}	0.143	0.634

CONNECT CHIP BACK TO V_{CC} OR FLOAT

Logic Diagram



Function Table

INPUTS		OUTPUT
A	B	Y
L	L	H
L	H	H
H	L	H
H	H	L

H = High level (steady state)
L = Low level (steady state)





High Speed CMOS Logic – 74HC132

Rev 1.0
21/11/17

Absolute Maximum Ratings¹

PARAMETER	SYMBOL	VALUE	UNIT
Supply Voltage (Referenced to GND)	V_{CC}	-0.5 to +7.0	V
DC Input Voltage (Referenced to GND)	V_{IN}	-1.5 to $V_{CC} + 1.5$	V
DC Output Voltage (Referenced to GND)	V_{OUT}	-0.5 to $V_{CC} + 0.5$	V
Clamp Diode Current	I_{IK}, I_{OK}	±20	mA
DC Output Current, per pad	I_{OUT}	±25	mA
DC V_{CC} or GND Current, per pad	I_{CC}	±50	mA
Power Dissipation in Still Air ²	P_D	750	mW
Storage Temperature Range	T_{STG}	-65 to 150	°C

1. Operation above the absolute maximum rating may cause device failure. Operation at the absolute maximum ratings, for extended periods, may reduce device reliability. 2. Measured in plastic DIP package, results in die form are dependent on die attach and assembly method.

Recommended Operating Conditions³ (Voltages referenced to GND)

PARAMETER	SYMBOL	MIN	MAX	UNITS	
Supply Voltage	V_{CC}	2	6	V	
DC Input or Output Voltage	V_{IN}, V_{OUT}	0	V_{CC}	V	
Operating Temperature Range	T_J	0	+85	°C	
Input Rise or Fall Times	t_r, t_f	$V_{CC} = 2.0V$	-	No limit*	ns

* When $V_{IN} \sim 0.5 V_{CC}$, $I_{CC} \gg$ quiescent current.

3. This device contains protection circuitry to guard against damage due to high static voltages or electric fields. However, precautions must be taken to avoid applications of any voltage higher than maximum rated voltages to this high-impedance circuit. For proper operation, V_{IN} and V_{OUT} should be constrained to the range $GND \leq (V_{IN} \text{ or } V_{OUT}) \leq V_{CC}$. Unused inputs must always be tied to an appropriate logic voltage level (e.g., either GND or V_{CC}). Unused outputs must be left open.

DC Electrical Characteristics (Voltages referenced to GND)

PARAMETER	SYMBOL	V_{CC}	CONDITIONS	LIMITS			UNITS
				25°C	85°C	FULL RANGE ⁴	
Maximum Positive-Going Input Threshold Voltage	$V_{T+ MAX}$	2V	$V_{OUT} = 0.1V$ $ I_{OUT} \leq 20\mu A$	1.5	1.5	1.5	V
		4.5V		3.15	3.15	3.15	
		6.0V		4.2	4.2	4.2	
Minimum Positive-Going Input Threshold Voltage	$V_{T+ MIN}$	2V	$V_{OUT} = 0.1V$ $ I_{OUT} \leq 20\mu A$	1.0	0.95	0.95	V
		4.5V		2.3	2.25	2.25	
		6.0V		3.0	2.95	2.95	
Maximum Negative-Going Input Threshold Voltage	$V_{T- MAX}$	2V	$V_{OUT} = V_{CC} - 0.1V$ $ I_{OUT} \leq 20\mu A$	0.9	0.95	0.95	V
		4.5V		2.0	2.05	2.05	
		6.0V		2.6	2.65	2.65	
Minimum Negative-Going Input Threshold Voltage	$V_{T- MIN}$	2V	$V_{OUT} = V_{CC} - 0.1V$ $ I_{OUT} \leq 20\mu A$	0.3	0.3	0.3	V
		4.5V		0.9	0.9	0.9	
		6.0V		1.2	1.2	1.2	





High Speed CMOS Logic – 74HC132

Rev 1.0
21/11/17

DC Electrical Characteristics Continued (Voltages referenced to GND)

PARAMETER	SYMBOL	V _{CC}	CONDITIONS	LIMITS			UNITS
				25°C	85°C	FULL RANGE ⁴	
Maximum Hysteresis Voltage ⁵	V _{H MAX}	2V	V _{OUT} = 0.1V or V _{CC} - 0.1V I _{OUT} ≤ 20μA	1.2	1.2	1.2	V
		4.5V		2.25	2.25	2.25	
		6.0V		3.0	3.0	3.0	
Minimum Hysteresis Voltage	V _{H MIN}	2V	V _{OUT} = 0.1V or V _{CC} - 0.1V I _{OUT} ≤ 20μA	0.2	0.2	0.2	V
		4.5V		0.4	0.4	0.4	
		6.0V		0.5	0.5	0.5	
Minimum High-Level Output Voltage	V _{OH}	2V	V _{IN} ≤ V _{T-MIN} or V _{T+MAX} I _{OUT} ≤ 20μA	1.9	1.9	1.9	V
		4.5V		4.4	4.4	4.4	
		6.0V		5.9	5.9	5.9	
	4.5V	V _{IN} ≤ V _{T-MIN} or V _{T+MAX} I _{OUT} ≤ 4.0mA	3.98	3.84	3.84	V	
	6.0V	V _{IN} ≤ V _{T-MIN} or V _{T+MAX} I _{OUT} ≤ 5.2mA	5.48	5.34	5.34	V	
Maximum Low-Level Output Voltage	V _{OL}	2V	V _{IN} ≥ V _{T+MAX} I _{OUT} ≤ 20μA	0.1	0.1	0.1	V
		4.5V		0.1	0.1	0.1	
		6.0V		0.1	0.1	0.1	
	4.5V	V _{IN} ≥ V _{T+MAX} I _{OUT} ≤ 4.0mA	0.26	0.33	0.33	V	
	6.0V	V _{IN} ≥ V _{T+MAX} I _{OUT} ≤ 5.2mA	0.26	0.33	0.33	V	
Maximum Input Leakage Current	I _{IN}	6.0V	V _{IN} = V _{CC} or GND	±0.1	±1.0	±1.0	μA
Maximum Quiescent Supply Current	I _{CC}	6.0V	V _{IN} = V _{CC} or GND, I _{OUT} = 0μA	1.0	10	10	μA

4. 0°C ≤ T_J ≤ +85°C

5. V_{H MIN} > (V_{T+MIN}) - (V_{T-MAX}); V_{H MAX} = (V_{T+MAX}) + (V_{T-MIN})





High Speed CMOS Logic – 74HC132

Rev 1.0
21/11/17

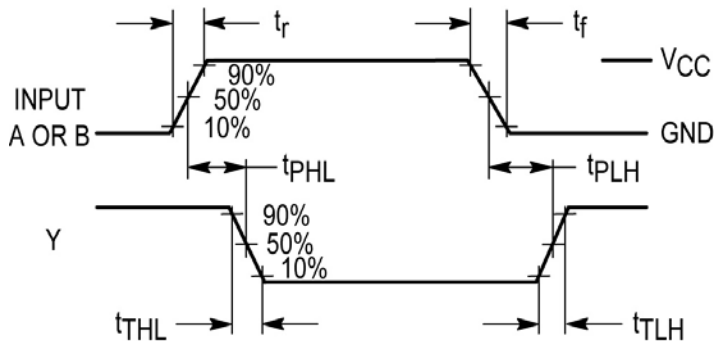
AC Electrical Characteristics⁶

PARAMETER	SYMBOL	V _{CC}	CONDITIONS	LIMITS			UNITS
				25°C	85°C	FULL RANGE ⁴	
Maximum Propagation Delay, Input A or B to Output Y	t _{PLH} , t _{PHL}	2V	C _L = 50pF, t _r = t _f = 6ns	125	155	155	ns
		4.5V		25	31	31	
		6.0V		21	26	26	
Maximum Output Rise and Fall Time, Any Output	t _{TLH} , t _{THL}	2V	C _L = 50pF, t _r = t _f = 6ns	75	95	95	ns
		4.5V		15	19	19	
		6.0V		13	16	16	
Maximum Input Capacitance	C _{IN}	-	-	10	10	10	pF
Power Dissipation Capacitance Per Gate ⁷	C _{PD}	-	T _A = 25°C, V _{CC} = 5.0V	TYPICAL			pF
				24			

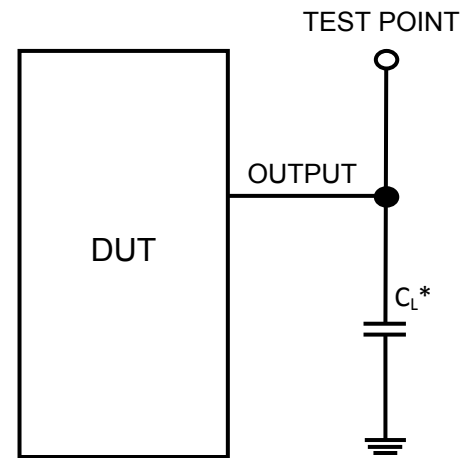
6. Not production tested in die form, characterized by chip design and tested in package.

7. Used to determine the no-load dynamic power consumption: $P_D = C_{PD} V_{CC}^2 f + I_{CC} V_{CC}$.

Switching Waveform



Test Circuit



* Includes all probe and jig capacitance

DISCLAIMER: The information given in this document shall in no event be regarded as a guarantee of conditions or characteristics. With respect to any examples or hints given herein, any typical values stated herein and/or any information regarding the application of the device, Silicon Supplies Ltd hereby disclaims any and all warranties and liabilities of any kind.

LIFE SUPPORT POLICY: Silicon Supplies Ltd components may be used in life support devices or systems only with the express written approval of Silicon Supplies Ltd, if a failure of such components can reasonably be expected to cause the failure of that life support device or system or to affect the safety or effectiveness of that device or system. Life support devices or systems are intended to be implanted in the human body or to support and/or maintain and sustain and/or protect human life. If they fail, it is reasonable to assume that the health of the user or other persons may be endangered.

