



Advanced Low Power Schottky Logic – 74ALS08

Quad 2-Input AND Gate in bare die form

Rev 1.1
23/01/24

Description

The 74ALS08 quad 2-input AND gate is fabricated using a 2µm 40V Bipolar process. The device consists of four independent 2-input AND gates with standard push-pull outputs and performs the Boolean function $Y = A \bullet B$ or $Y = A + B$. All inputs are protected against ESD and excess voltage transients.

Features:

- High speed – 4ns (Min) propagation delay
- Direct drop-in replacement for obsolete components in long term programs.

#

Ordering Information

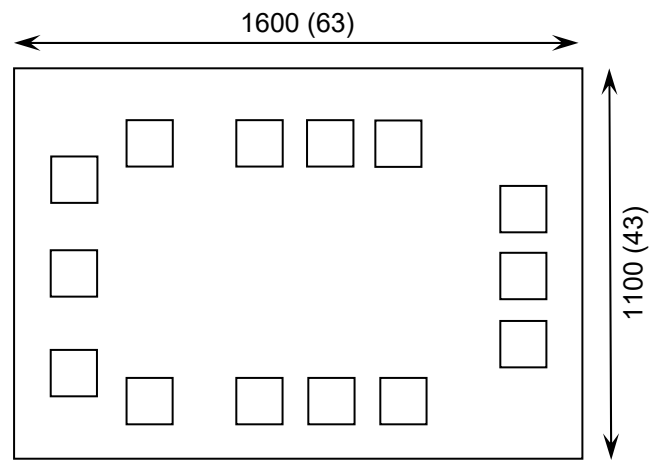
The following part suffixes apply:

- No suffix - MIL-STD-883 /2010B Visual Inspection

For High Reliability versions of this product please see

[54ALS08](#)

Die Dimensions in µm (mils)



Supply Formats:

- Default – Die in Waffle Pack (300 per tray capacity)
- Sawn Wafer on Tape – On request
- Unsawn Wafer – On request
- Die Thickness <=> 350µm(14 Mils) – On request
- Assembled into Ceramic Package – On request

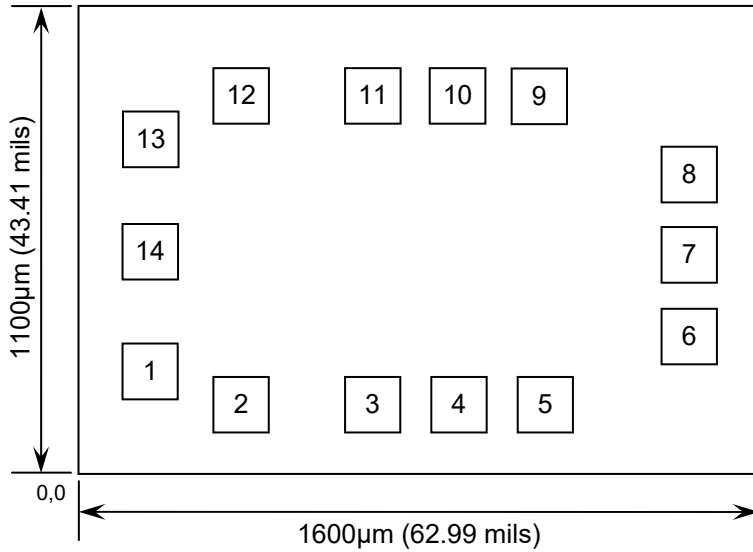
Mechanical Specification

Die Size (Unsawn)	1600 x 1100 63 x 43	µm mils
Minimum Bond Pad Size	130 x 130 5.12 x 5.12	µm mils
Die Thickness	350 (±20) 13.78 (±0.79)	µm mils
Top Metal Composition	Al 1%Si 1.1µm	
Back Metal Composition	N/A – Bare Si	



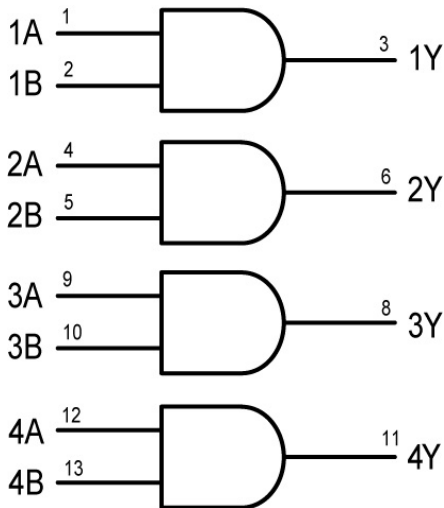


Pad Layout and Functions



PAD	FUNCTION	COORDINATES (mm)	
		X	Y
1	1A	0.100	0.180
2	1B	0.315	0.100
3	1Y	0.625	0.100
4	2A	0.825	0.100
5	2B	1.025	0.100
6	2Y	1.370	0.260
7	GND	1.370	0.450
8	3Y	1.370	0.640
9	3A	1.015	0.825
10	3B	0.825	0.825
11	4Y	0.625	0.825
12	4A	0.425	0.825
13	4B	0.100	0.725
14	V _{CC}	0.100	0.460
CONNECT CHIP BACK TO GND			

Logic Diagram



Pad 14 = V_{CC}
Pad 7 = GND

Function Table

INPUTS		OUTPUT
A	B	Y
L	L	L
L	H	L
H	L	L
H	H	H

H = High level (steady state)
L = Low level (steady state)





Absolute Maximum Ratings¹

PARAMETER	SYMBOL	VALUE	UNIT
DC Supply Voltage	V_{CC}	7.0	V
DC Input Voltage	V_{IN}	7.0	V
Storage Temperature Range	T_{STG}	-65 to 150	°C

1. Operation above the absolute maximum rating may cause device failure. Operation at the absolute maximum ratings, for extended periods, may reduce device reliability.

Recommended Operating Conditions

PARAMETER	SYMBOL	MIN	MAX	UNITS
Supply Voltage	V_{CC}	4.5	5.5	V
High-Level Input Voltage	V_{IH}	2	-	V
Low-Level Input Voltage	V_{IL}	-	0.8	V
High-Level Output Current	I_{OH}	-	-0.4	mA
Low-Level Output Current	I_{OL}	-	8	mA
Operating Temperature Range	T_J	-40	+55	°C

DC Electrical Characteristics² $T_J = -40^{\circ}\text{C}$ to 85°C unless otherwise specified

PARAMETER	SYMBOL	CONDITIONS	LIMITS			UNITS	
			MIN	TYP	MAX		
Minimum High-Level Input Voltage	V_{IH}	-	2	-	-	V	
Maximum Low-Level Input Voltage	V_{IL}	-	-	-	0.8	V	
Input Clamp Diode Voltage	V_{IK}	$V_{CC} = \text{MIN}$ $I_{IN} = -18\text{mA}$	-	-	-1.5	V	
Output Voltage High	V_{OH}	$V_{CC} = 4.5\text{V to } 5.5\text{V}$, $I_{OH} = -0.4\text{mA}$	$V_{CC}-2$	-	-	V	
Output Voltage Low	V_{OL}	$V_{CC} = 4.5\text{V}$	$I_{OL} = 4\text{mA}$	-	0.25	0.4	V
			$I_{OL} = 8\text{mA}$	-	0.35	0.5	
Input Current	I_{IN}	$V_{CC} = 5.5\text{V}$, $V_{IN} = 7\text{V}$	-	-	0.1	mA	
Input High Current	I_{IH}	$V_{CC} = 5.5\text{V}$, $V_{IN} = 2.7\text{V}$	-	-	20	μA	
Input Low Current	I_{IL}	$V_{CC} = 5.5$, $V_{IN} = 0.4\text{V}$	-	-	-0.1	mA	
Output Current ³	I_O	$V_{CC} = 5.5$, $V_{OUT} = 2.25\text{V}$	-30	-	-112	mA	
Power Supply Current (Total)	I_{CCH}	$V_{CC} = 5.5\text{V}$, $V_{IN} = 4.5\text{V}$	-	1.3	2.4	mA	
	I_{CCL}	$V_{CC} = 5.5\text{V}$, $V_{IN} = 0\text{V}$	-	2.2	4		

2. All typical values @ $V_{CC} = 5\text{V}$, $T_J = 25^{\circ}\text{C}$.

3. Output conditions have been chosen to produce a current that closely approximates one half of the true short-circuit output current, I_{OS}



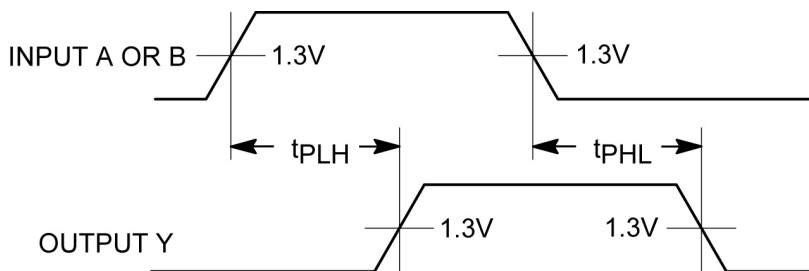


AC Electrical Characteristics⁴ $T_J = -40^{\circ}\text{C}$ to 85°C unless otherwise specified

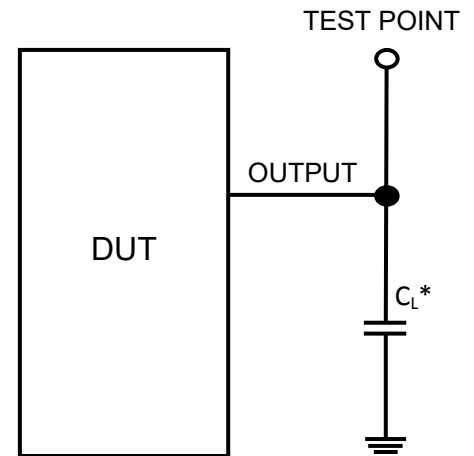
PARAMETER	SYMBOL	CONDITIONS	LIMITS			UNITS
			MIN	TYP	MAX	
Propagation Delay, A or B to output Y	t_{PLH}	$V_{CC} = 4.5$ to 5.5V , $C_L = 50\text{pF}$, $R_L = 500\Omega$	4	-	14	ns
	t_{PHL}		3	-	10	

4. Not production tested in die form, characterized by chip design and tested in package.

Switching Waveform



Test Circuit



* Includes all probe and jig capacitance

DISCLAIMER: The information given in this document shall in no event be regarded as a guarantee of conditions or characteristics. With respect to any examples or hints given herein, any typical values stated herein and/or any information regarding the application of the device, Silicon Supplies Ltd hereby disclaims any and all warranties and liabilities of any kind.

LIFE SUPPORT POLICY: Silicon Supplies Ltd components may be used in life support devices or systems only with the express written approval of Silicon Supplies Ltd, if a failure of such components can reasonably be expected to cause the failure of that life support device or system or to affect the safety or effectiveness of that device or system. Life support devices or systems are intended to be implanted in the human body or to support and/or maintain and sustain and/or protect human life. If they fail, it is reasonable to assume that the health of the user or other persons may be endangered.

