



# Advanced Low Power Schottky Logic – 74ALS00

## Quad 2-Input NAND Gates in bare die form

Rev 1.1  
23/01/24

### Description

74ALS00 provides x4 independent 2-input NAND gates performing the Boolean function  $Y = \overline{A \cdot B}$  or  $Y = \overline{A} + \overline{B}$ . The device is fabricated using a 1.5µm 40V Bipolar process. Internal circuitry comprises of 3 stages and includes buffered outputs for high noise immunity and stability. All inputs are equipped with protection circuits against static discharge and transient excess voltage.

#

### Ordering Information

The following part suffixes apply:

- No suffix - MIL-STD-883 /2010B Visual Inspection

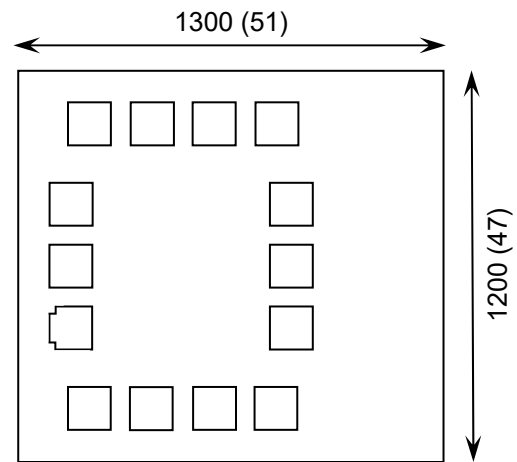
For High Reliability versions of this product please see

[54ALS00](#)

### Features:

- High speed – 3ns (Min) propagation delay
- Direct drop-in replacement for obsolete components in long term programs.

### Die Dimensions in µm (mils)



### Supply Formats:

- Default – Die in Waffle Pack (300 per tray capacity)
- Sawn Wafer on Tape – On request
- Unsawn Wafer – On request
- Die Thickness <=> 350µm(14 Mils) – On request
- Assembled into Ceramic Package – On request

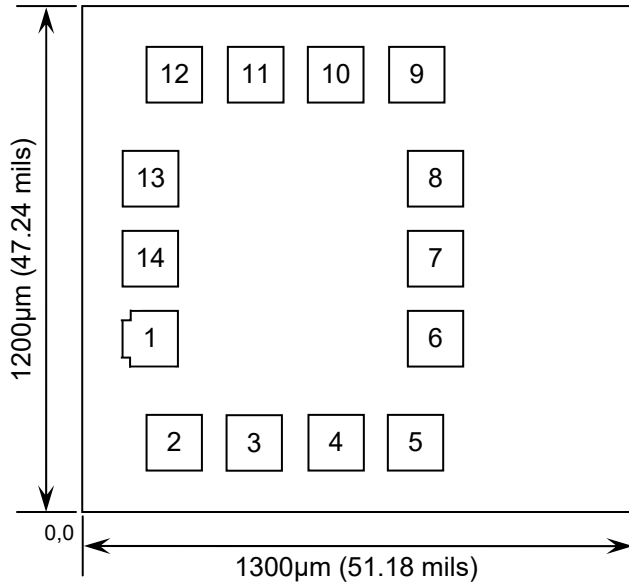
### Mechanical Specification

Die Size (Unsawn)	1300 x 1200 51 x 47	µm mils
Minimum Bond Pad Size	130 x 130 5.12 x 5.12	µm mils
Die Thickness	350 (±20) 13.78 (±0.79)	µm mils
Top Metal Composition	Al 1%Si 1.1µm	
Back Metal Composition	N/A – Bare Si	



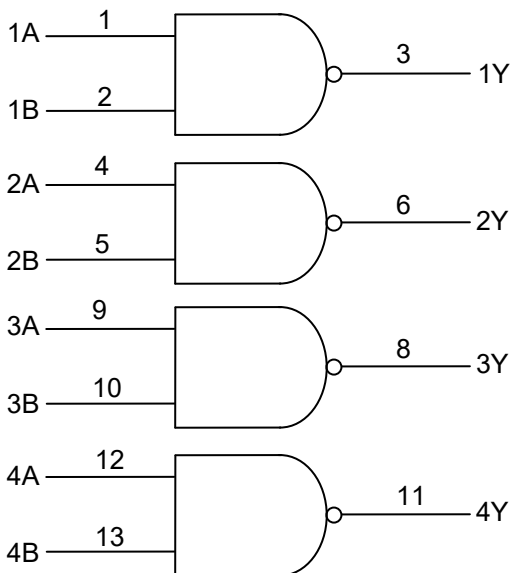


## Pad Layout and Functions



PAD	FUNCTION	COORDINATES (mm)	
		X	Y
1	1A	0.100	0.345
2	1B	0.155	0.100
3	1Y	0.345	0.100
4	2A	0.535	0.100
5	2B	0.725	0.100
6	2Y	0.770	0.345
7	GND	0.770	0.535
8	3Y	0.770	0.725
9	3A	0.725	0.970
10	3B	0.535	0.970
11	4Y	0.345	0.970
12	4A	0.155	0.970
13	4B	0.100	0.725
14	V <sub>CC</sub>	0.100	0.535
CONNECT CHIP BACK TO GND			

## Logic Diagram



## Function Table

INPUTS		OUTPUT
A	B	Y
L	L	H
L	H	H
H	L	H
H	H	L
H = High level (steady state) L = Low level (steady state)		





## Absolute Maximum Ratings<sup>1</sup>

PARAMETER	SYMBOL	VALUE	UNIT
DC Supply Voltage	$V_{CC}$	7.0	V
DC Input Voltage	$V_{IN}$	7.0	V
Storage Temperature Range	$T_{STG}$	-65 to 150	°C

1. Operation above the absolute maximum rating may cause device failure. Operation at the absolute maximum ratings, for extended periods, may reduce device reliability.

## Recommended Operating Conditions

PARAMETER	SYMBOL	MIN	MAX	UNITS
Supply Voltage	$V_{CC}$	4.5	5.5	V
High-Level Input Voltage	$V_{IH}$	2	-	V
Low-Level Input Voltage	$V_{IL}$	-	0.8	V
High-Level Output Current	$I_{OH}$	-	-0.4	mA
Low-Level Output Current	$I_{OL}$	-	8	mA
Operating Temperature Range	$T_J$	-40	+85	°C

## DC Electrical Characteristics<sup>2</sup> $T_J = -40^{\circ}\text{C}$ to $85^{\circ}\text{C}$ unless otherwise specified

PARAMETER	SYMBOL	CONDITIONS	LIMITS			UNITS	
			MIN	TYP	MAX		
Minimum High-Level Input Voltage	$V_{IH}$	-	2	-	-	V	
Maximum Low-Level Input Voltage	$V_{IL}$	-	-	-	0.8	V	
Input Clamp Diode Voltage	$V_{IK}$	$V_{CC} = \text{MIN}$ $I_{IN} = -18\text{mA}$	-	-	-1.5	V	
Output Voltage High	$V_{OH}$	$V_{CC} = 4.5\text{V to } 5.5\text{V}$ , $I_{OH} = -0.4\text{mA}$	$V_{CC} - 2$	-	-	V	
Output Voltage Low	$V_{OL}$	$V_{CC} = 4.5\text{V}$	$I_{OL} = 4\text{mA}$	-	0.25	0.4	V
			$I_{OL} = 8\text{mA}$	-	0.35	0.5	
Input Current	$I_{IN}$	$V_{CC} = 5.5\text{V}$ , $V_{IN} = 7\text{V}$	-	-	0.1	mA	
Input High Current	$I_{IH}$	$V_{CC} = 5.5\text{V}$ , $V_{IN} = 2.7\text{V}$	-	-	20	μA	
Input Low Current	$I_{IL}$	$V_{CC} = 5.5$ , $V_{IN} = 0.4\text{V}$	-	-	-0.1	mA	
Output Current <sup>3</sup>	$I_O$	$V_{CC} = 5.5$ , $V_{OUT} = 2.25\text{V}$	-30	-	-112	mA	
Power Supply Current (Total)	$I_{CCH}$	$V_{CC} = 5.5\text{V}$ , $V_{IN} = 4.5\text{V}$	-	0.5	0.85	mA	
	$I_{CCL}$	$V_{CC} = 5.5\text{V}$ , $V_{IN} = 0\text{V}$	-	1.5	3		

2. All typical values @  $V_{CC} = 5\text{V}$ ,  $T_J = 25^{\circ}\text{C}$ .

3. Output conditions have been chosen to produce a current that closely approximates one half of the true short-circuit output current,  $I_{OS}$





# Advanced Low Power Schottky Logic – 74ALS00

Rev 1.1

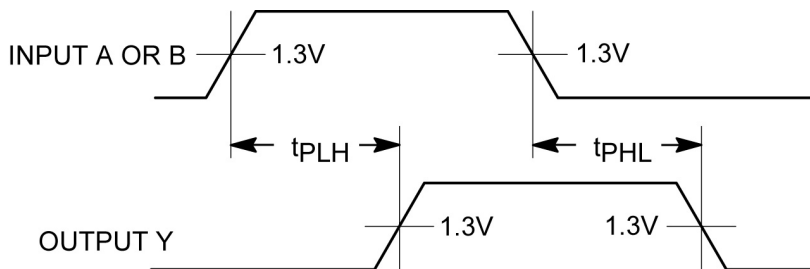
23/01/24

## AC Electrical Characteristics<sup>4</sup> $T_J = -55^\circ\text{C}$ to $125^\circ\text{C}$ unless otherwise specified

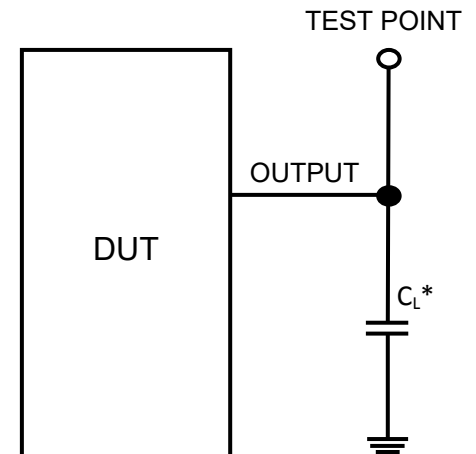
PARAMETER	SYMBOL	CONDITIONS	LIMITS			UNITS
			MIN	TYP	MAX	
Propagation Delay, A or B to output Y	$t_{PLH}$	$V_{CC} = 4.5$ to $5.5\text{V}$ , $C_L = 50\text{pF}$ , $R_L = 500\Omega$	3	-	11	ns
	$t_{PHL}$		2	-	8	

4. Not production tested in die form, characterized by chip design and tested in package.

### Switching Waveform



### Test Circuit



\* Includes all probe and jig capacitance

**DISCLAIMER:** The information given in this document shall in no event be regarded as a guarantee of conditions or characteristics. With respect to any examples or hints given herein, any typical values stated herein and/or any information regarding the application of the device, Silicon Supplies Ltd hereby disclaims any and all warranties and liabilities of any kind.

**LIFE SUPPORT POLICY:** Silicon Supplies Ltd components may be used in life support devices or systems only with the express written approval of Silicon Supplies Ltd, if a failure of such components can reasonably be expected to cause the failure of that life support device or system or to affect the safety or effectiveness of that device or system. Life support devices or systems are intended to be implanted in the human body or to support and/or maintain and sustain and/or protect human life. If they fail, it is reasonable to assume that the health of the user or other persons may be endangered.

