

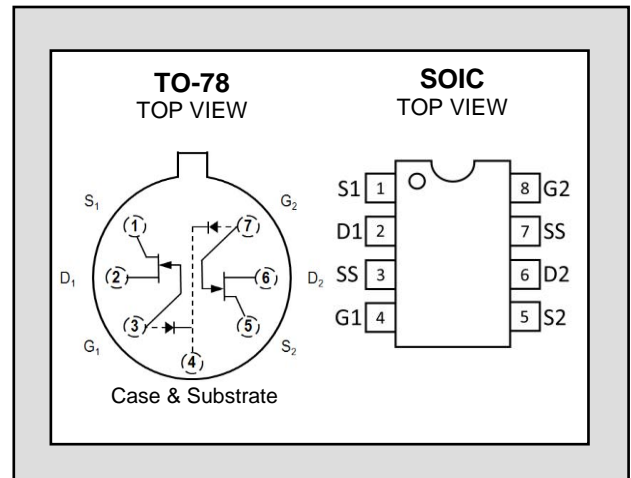
LINEAR SYSTEMS

Twenty-Five Years Of Quality Through Innovation

U421, U422, U423, U424, U425, U426

LOW LEAKAGE LOW DRIFT
MONOLITHIC DUAL N-CHANNEL
JFET AMPLIFIER

FEATURES	
HIGH INPUT IMPEDANCE	$I_G=0.25\text{pA MAX}$
HIGH GAIN	$g_{fs}=120\mu\text{S MIN}$
LOW POWER OPERATION	$V_{GS(off)}=2\text{V MAX}$
ABSOLUTE MAXIMUM RATINGS NOTE 1	
@ 25 °C (unless otherwise noted)	
Maximum Temperatures	
Storage Temperature	-55 to +150°C
Operating Junction Temperature	-55 to +150°C
Maximum Voltage and Current for Each Transistor NOTE 1	
$-V_{GSS}$	Gate Voltage to Drain or Source 40V
$-V_{DSO}$	Drain to Source Voltage 40V
$I_{G(f)}$	Gate Forward Current 10mA
Maximum Power Dissipation	
Total Device Dissipation $T_A = 25^\circ\text{C}$	500 ² mW

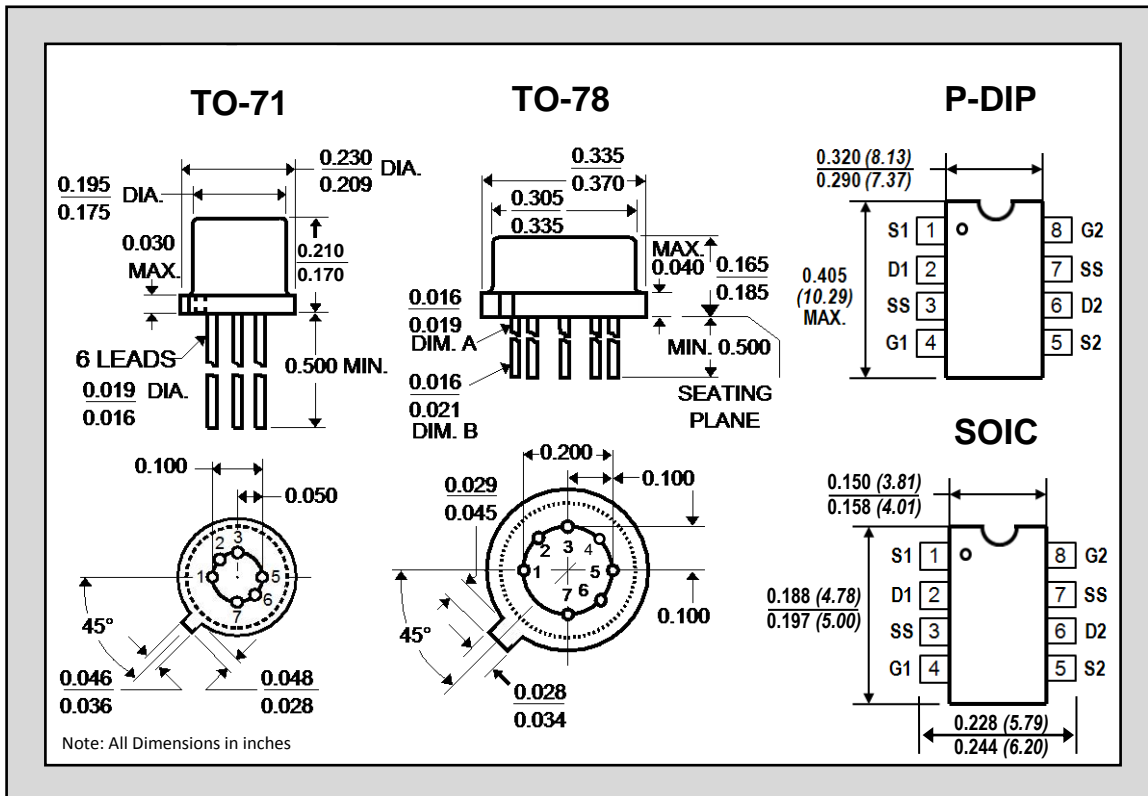


ELECTRICAL CHARACTERISTICS @ 25°C (unless otherwise noted)

SYMBOL	CHARACTERISTIC ³	U421	U422	U423	U424	U425	U426	UNITS	CONDITIONS	
$ \Delta V_{GS1-2}/\Delta T $ max.	Drift vs. Temperature	10	25	40	10	25	40	$\mu\text{V}/^\circ\text{C}$	$V_{DG} = 10\text{V}$ $I_D = 30\mu\text{A}$ $T_A = -55^\circ\text{C}$ to $+125^\circ\text{C}$	
$ V_{GS1-2} $ max.	Offset Voltage	10	15	25	10	15	25	mV	$V_{DG} = 10\text{V}$ $I_D = 30\mu\text{A}$	
$V_{GS(off)}$	GATE VOLTAGE									
	Pinchoff Voltage	Max	-2.0	-2.0	-2.0	-3.0	-3.0	-3.0	V	$V_{DS}=10\text{V}$ $I_D=1\text{nA}$
		Min	-0.4	-0.4	-0.4	-0.4	-0.4	-0.4		
V_{GS}	Operating Range	Max	-1.8	-1.8	-1.8	-2.9	-2.9	-2.9	V	$V_{DS}=10\text{V}$ $I_D=30\mu\text{A}$
$I_{GTYP.}$	Operating		-0.25	-0.25	-0.25	-0.500	-0.500	-0.500	pA	$V_{DS}=10\text{V}$ $I_D=30\mu\text{A}$
$I_{GTYP.}$	High Temperature		-250	-250	-250	-500	-500	-500	pA	$T_A=+125^\circ\text{C}$
$I_{GSSTYP.}$	Gate Reverse Current		-1.0	-1.0	-1.0	-3.0	-3.0	-3.0	pA	$V_{DS}=0\text{V}$ $V_{GS}=-20\text{V}$
$I_{GSSTYP.}$	Gate Reverse Current		1.0	1.0	1.0	3.0	3.0	3.0	nA	$T_A=+125^\circ\text{C}$

SYMBOL	CHARACTERISTIC	MIN.	TYP.	MAX.	UNITS	CONDITIONS
BV_{GSS}	Breakdown Voltage	-40	-60	--	V	$V_{DS}=0\text{V}$ $I_G = -1\text{nA}$
BV_{GGO}	Gate-to-Gate Breakdown	± 40	--	--	V	$I_{G1G2} = \pm 1\mu\text{A}$ $I_D = 0\text{A}$ $I_S = 0\text{A}$
g_{fs}	TRANSCONDUCTANCE					
	Full Conduction	300	--	1500	μS	$V_{DS}=10\text{V}$ $V_{GS}=0$ $f=1\text{kHz}$
g_{fs}	Typical Operation	120	200	350	μS	$V_{DG}=10\text{V}$ $I_D=30\mu\text{A}$ $f=1\text{kHz}$
I_{DSS}	DRAIN CURRENT					
	Full Conduction	60	--	1000	μA	U421-3 $V_{DS}=10\text{V}$ $V_{GS}=0$
		60	--	1800	μA	U424-6

SYMBOL	CHARACTERISTIC	MIN.	TYP.	MAX.	UNITS	CONDITIONS
OUTPUT CONDUCTANCE						
g_{os}	Full Conduction	--	--	10	μS	$V_{DS} = 10V$ $V_{GS} = 0$
g_{os}	Operating	--	0.1	3.0	μS	$V_{DG} = 10V$ $I_D = 30\mu A$
COMMON MODE REJECTION						
CMRR	$-20 \log V_{GS1-2}/\Delta V_{DS} $	--	90	--	dB	$\Delta V_{DS} = 10$ to $20V$ $I_D = 30\mu A$
CMRR	$-20 \log V_{GS1-2}/\Delta V_{DS} $	--	90	--	dB	$\Delta V_{DS} = 5$ to $10V$ $I_D = 30\mu A$
NOISE						
NF	Figure	--	--	1.0	dB	$V_{DG} = 10V$, $I_D = 30\mu A$, $R_G = 10M\Omega$ $f = 10Hz$
e_n	Voltage	--	20	70	nV/ \sqrt{Hz}	$V_{DG} = 10V$ $I_D = 30\mu A$ $f = 10Hz$
			10			$V_{DG} = 10V$ $I_D = 30\mu A$ $f = 1kHz$
CAPACITANCE						
C_{ISS}	Input	--	--	3.0	pF	$V_{DS} = 10V$ $V_{GS} = 0$ $f = 1MHz$
C_{RSS}	Reverse Transfer	--	--	1.5	pF	$V_{DS} = 10V$ $V_{GS} = 0$ $f = 1MHz$



NOTES:

1. These ratings are limiting values above which the serviceability of any semiconductor may be impaired
2. Derate 4mW/°C above 25°C
3. All MIN/TYP/MAX limits are absolute numbers. Negative signs indicate electrical polarity only.

Information furnished by Linear Integrated Systems is believed to be accurate and reliable. However, no responsibility is assumed for its use; nor for any infringement of patents or other rights of third parties which may result from its use. No license is granted by implication or otherwise under any patent or patent rights of Linear Integrated Systems.

Linear Integrated Systems (LIS) is a 25-year-old, third-generation precision semiconductor company providing high-quality discrete components. Expertise brought to LIS is based on processes and products developed at Amelco, Union Carbide, Intersil and Micro Power Systems by company President John H. Hall. Hall, a protégé of Silicon Valley legend Dr. Jean Hoerni, was the director of IC Development at Union Carbide, Co-Founder and Vice President of R&D at Intersil, and Founder/President of Micro Power Systems.